



# BLINDSNAKE

## RAPID PLUG BASE

**NO TOOLS REQUIRED**

**AS/NZS STANDARDS APPROVED\***

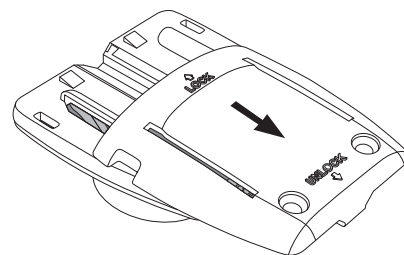
**FITS 1.5mm<sup>2</sup>**

**10A 250V AC**



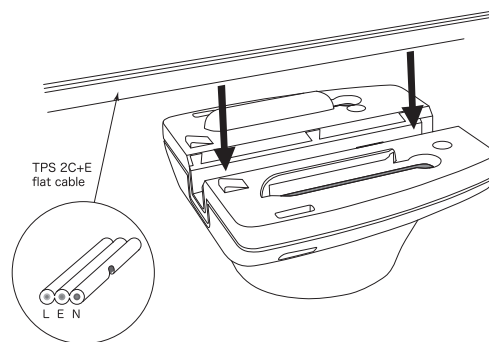
## INSTALLATION GUIDE

- 1** Slide the cover back until you can remove it completely.



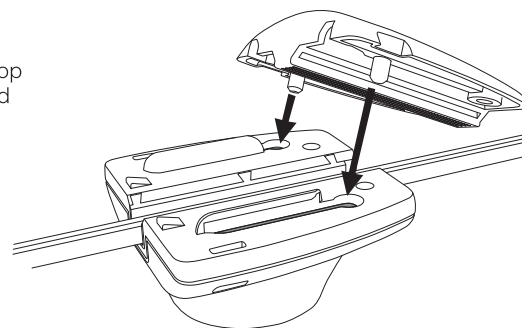
**NO NEED TO STRIP OUTER SHEATH.**

- 2** For 1.5mm<sup>2</sup> cable\*\* place the cable<sup>1</sup> into the channel and push it down so it's completely flat.

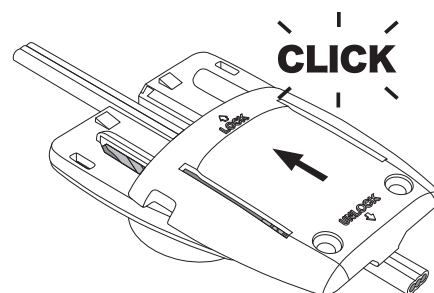


<sup>1</sup>NOTE: For polarity, ensure the Active/Line conductor is aligned with the L mark. This can be achieved by nicking a small part of the insulation off the cables outer sheath.

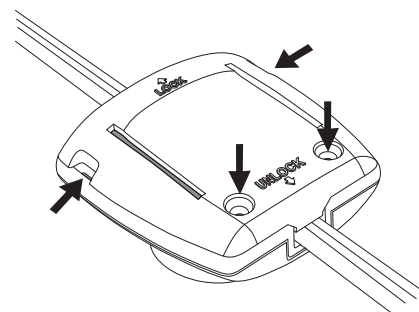
- 3** Place the cover on top of the main body and press the pins firmly into the guides.



- 4** Slide the cover closed until you hear a 'click' sound.



- 5** **OPTIONAL**  
Fix the snake into place using suitable fixing screws or the cable tie loops.



\*Compliant with: AS/NZS 3112:2011 + A1:2012 + A2:2013 + A3:2016  
combined with AS/NZS 3100:2009 + A1:2010 + A2:2012 + A3:2014 + A4:2015

\*\*Suitable for use with 1.5mm<sup>2</sup> 2C+E ONLY WITH CENTRE EARTH  
cables in accordance with AS/NZS 5000.2:2006 conductor range.

Turn over for termination and unlocking guide

# 1 Year Warranty

## Warranty Disclaimer

Please refer to M-Elec website (melec.com.au) for information on the warranty period of each product. Each of our product warranties is separate and subject to the following terms and conditions:

- M-Elec products must be properly installed by a qualified electrician and in accordance with any relevant guidelines, codes, and standards. This includes wiring and connection to proper approved components and product working environments.
- This warranty is void and does not apply to products that fail as a result of neglect, mistake misuse, alteration, or that is improperly installed and implemented. This includes but is not limited to: improper wiring, installation under improper and non-approved operating environments such as temperature, humidity, corrosion or voltage conditions; improper installation using components that are not approved or are not M-Elec manufactured products.
- It is the responsibility of the purchaser to obtain all necessary approvals and to understand the products intended use and all relevant instructions, recommendations, and guidelines for the proper installation and use of any M-Elec products and related 'manufactured products' used in conjunction with same.
- M-Elec is not liable for the accuracy and completeness of any statements, technical information and recommendations in any form of product literature or instructions are not guaranteed, and are not part of this warranty, and does not in any way constitute a warranty. The purchaser is solely responsible for determining suitability of the M-Elec products for installation and full implementation must determine potential applications and installations independently.
- Warranty is void if products have been altered, opened/modified in any way that is outside the bounds of normal electrical work.
- To make a claim on M-Elec's product warranty you must at your cost, return the product to M-Elec's head office with the original purchase receipt. Upon receiving the product M-Elec will assess the warranty claim by conducting electrical tests, visual and microscopic inspection to ascertain there is no visible physical damage or abuse. If M-Elec grants the warranty claim, we will replace the product or refund your money, at our election. Please read our returns policy for further information (melec.com.au).
- M-Elec is not responsible or liable for any injuries, damages, or death caused by the use, misuse or failure of products purchased from us.
- This warranty is in addition to any other rights the consumer may have under the Australian Consumer Law.

To the fullest extent permitted by law, no warranties other than those described above are given in respect of M-Elec products. M-Elec's liability is limited, to the fullest extent permitted by law, to the refund or replacement of the M-Elec products. We expressly do not warrant that an M-Elec product will last any particular length of time nor guarantee is made as to fitness to a particular application, since we have no control of the electrical supply or circuits.

M-Elec goods come with guarantees that cannot be excluded under the Australian Consumer Law. You are entitled to a replacement or refund for a major failure and compensation for any other reasonably foreseeable loss or damage. You are also entitled to have the goods repaired or replaced if the goods fail to be of acceptable quality and the failure does not amount to a major failure.

Please read our returns policy procedure for further information on M-Elec website melec.com.au or request it via phone 1300 222 445 from our customer care consultants.

Due to our policy of continuous product improvement, we reserve the right to discontinue or update product specifications or designs at any time without notice. Please visit [www.melec.com.au](http://www.melec.com.au) for the latest information on our products.

## TERMINATION GUIDE - OPTIONAL

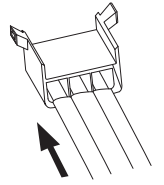
1

Strip 15mm of the outer cable insulation exposing the inner insulated wires.



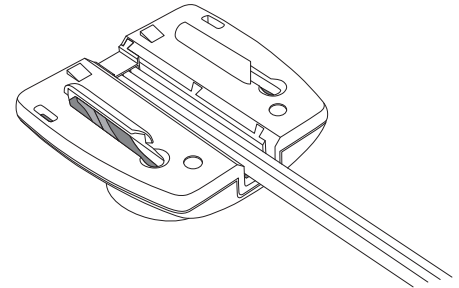
2

Insert active, earth and neutral insulated cables into the slots on the terminator block.



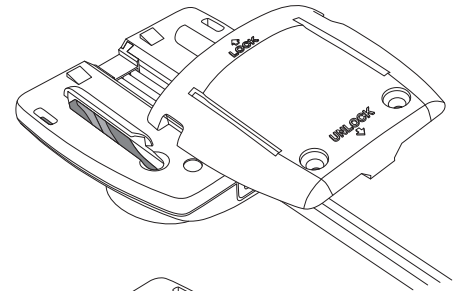
3

Clip the terminator block in the top end of the channel ensuring the cable is sitting flat in the channel.



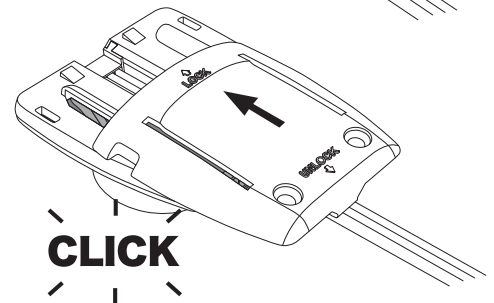
4

Place the cover on top of the main body and press the pins firmly into the guides.



5

Slide the cover closed until you hear a 'click' sound for a safe and secure termination.

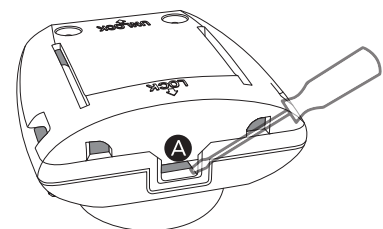


**CLICK**

## UNLOCKING GUIDE

1

Insert a small flat bladed screwdriver into **position A** and lift slightly.



2

Slide the cover back until you can remove it completely.

