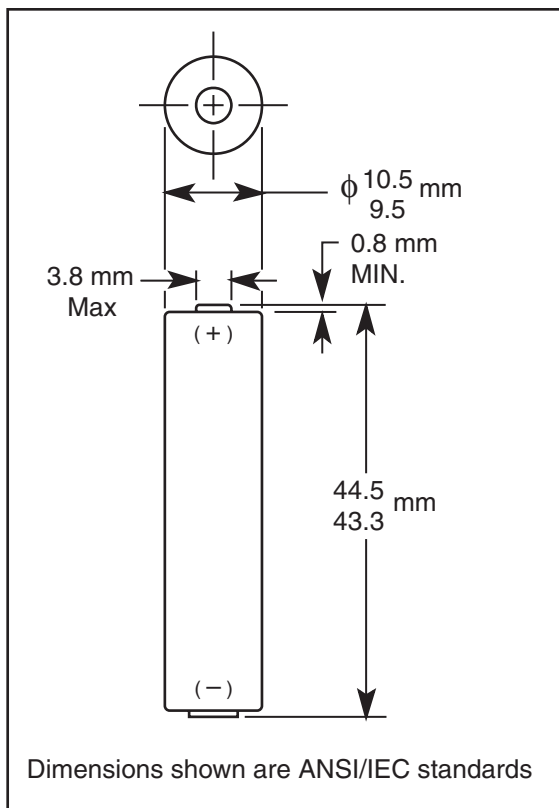


# DURACELL<sup>®</sup> COPPERTOP<sup>™</sup> MN2400

Alkaline-Manganese Dioxide Battery

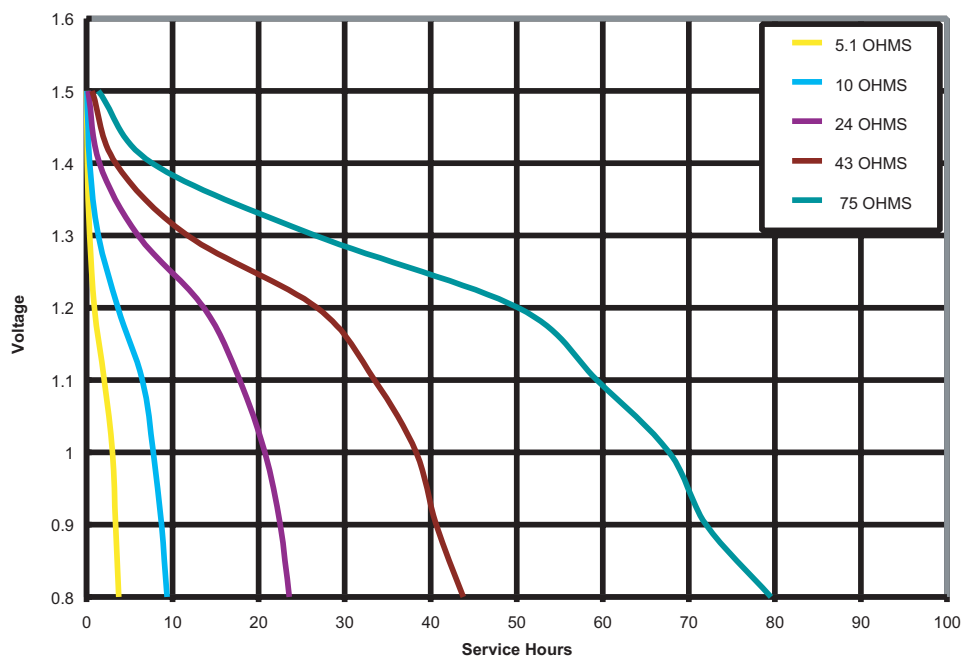
Size: AAA (LR03)

Zn/MnO<sub>2</sub>



Nominal Voltage:	1.5 V
Nominal Internal Impedance:	250 m-ohm @ 1kHz
Average Weight:	11 gm (0.39 oz.)
Volume:	3.5 cm <sup>3</sup> (0.21 in. <sup>3</sup> )
Terminals:	Flat
Operating Temperature Range:	-20°C to 54°C (-4°F to 130°F)
ANSI:	24A
IEC:	LR03

## TYPICAL DISCHARGE CHARACTERISTICS AT 21°C (70°F)



\* Delivered capacity is dependent on the applied load, operating temperature and cut-off voltage. Please refer to the charts and discharge data shown for examples of the energy / service life that the battery will provide for various load conditions.

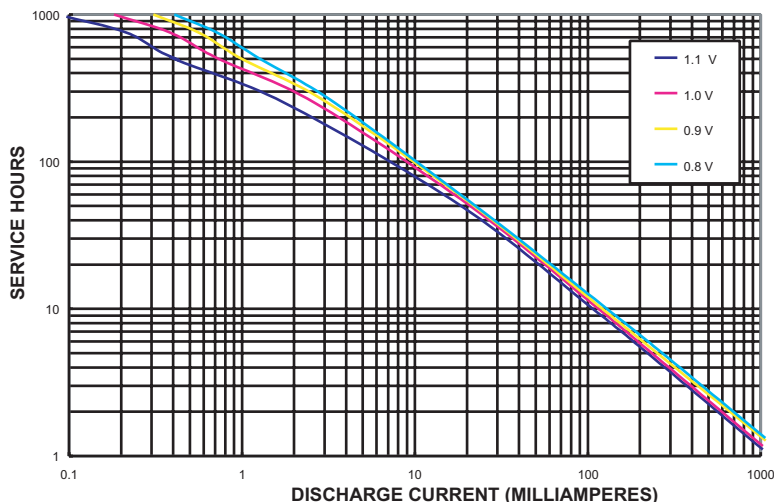
# DURACELL<sup>®</sup> COPPERTOP<sup>™</sup> MN2400

## Alkaline-Manganese Dioxide Battery

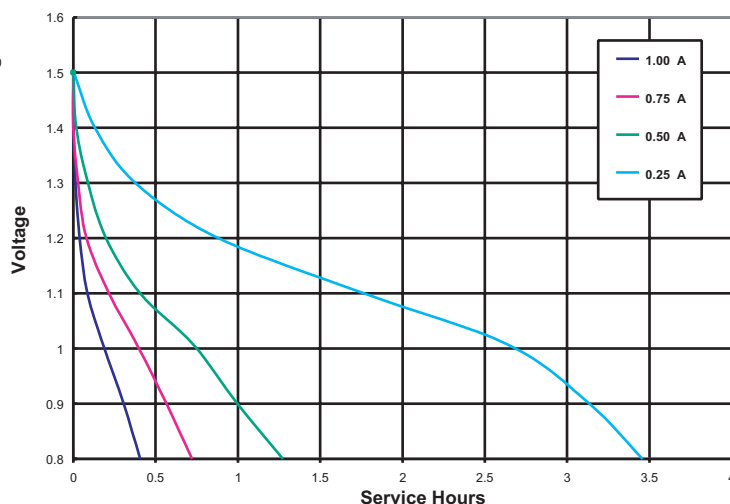
### Size: AAA (LR03)

Zn/MnO<sub>2</sub>

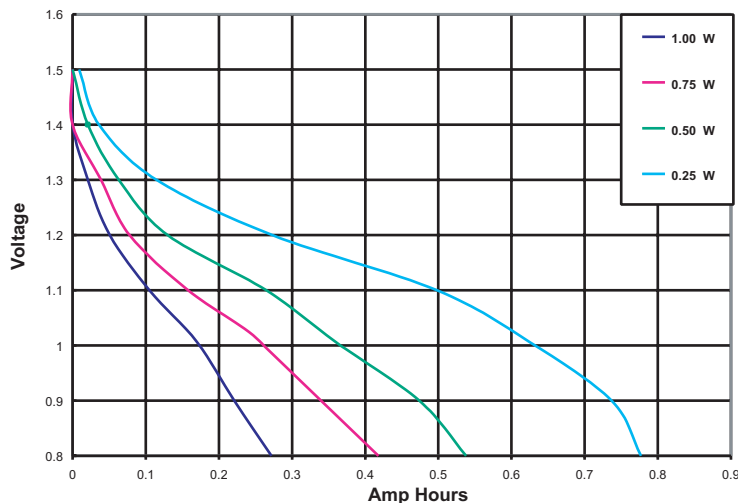
TYPICAL CONSTANT CURRENT DISCHARGE CHARACTERISTICS AT 21°C (70°F)



TYPICAL DISCHARGE CHARACTERISTICS AT 21°C (70°F)



TYPICAL DISCHARGE CHARACTERISTICS AT 21°C (70°F)



**DURACELL<sup>®</sup>**  
BATTERIES

Berkshire Corporate Park  
Bethel, CT 06801 U.S.A.  
Telephone: Toll-free 1-800-544-5454  
Internet: [www.duracell.com](http://www.duracell.com)

\* Delivered capacity is dependent on the applied load, operating temperature and cut-off voltage. Please refer to the charts and discharge data shown for examples of the energy / service life that the battery will provide for various load conditions.