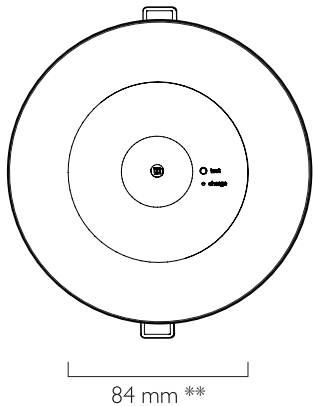
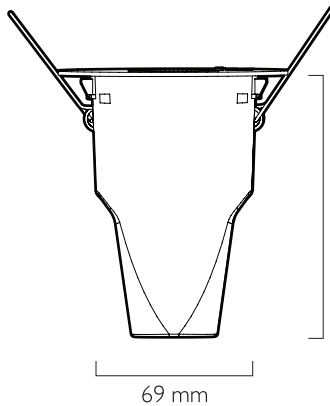


ORDERING INFORMATION				
SKU	PRODUCT CODE	DESCRIPTION	PRODUCT NUMBER	CARTON QTY.
11190	EV-LED FIRE-BASIC	Ledfire Basic Emergency Luminaire - D32	9336462111901	4

OPERATIONAL INFORMATION					
GENERAL			BATTERY		
Voltage (V)	~220-240V	Emergency Classification	D32	Battery Type	LiFePO4
Frequency (Hz)	50Hz	Mounting Type	Recessed mounting	Battery Voltage	3.2V 1500mAh
Max. Ambient Temp.	40°C	Wiring	Flex & Plug	Battery Code(s)	01307
Class	2	Lamp Power	1.4W (D32)	Charging Time	16 Hours
Duration	90 / 120 min	Avg. Circuit Power	0.35W	Charger Type	Variable
IP Rating	IP20	Max. Circuit Power	2.5W		

CONSTRUCTION AND DIMENSIONS	
BODY	PC
DISH	PC
CUT OUT*	70 mm - 80 mm
CUT OUT**	75 mm -130 mm
<small>* Size without outer ring ** Size with outer ring</small>	
<p>NOTE: For more information on the chemical resistance of our polycarbonate, please see the technical downloads page at ektor.com.au</p>	

ACCESSORIES AND SPARE PARTS		
SKU	ORDER CODE	DESCRIPTION
01307	EV-1500mAh-3.2V-LiFePO4-Loom	Battery stick 1500mAH 2 Cell LiFePO4

SPACING TABLE (DISTANCE BETWEEN FITTINGS)		MOUNTING HEIGHT (M)															
LUX	CLASSIFICATION	2.1	2.4	2.7	3	3.3	3.6	4	4.5	5	6	7	8	9	10	15	20
0.2	D32	15.4	16.1	16.7	17.2	17.6	18.0	18.5	19.1	19.5	20.2	20.6	20.7	20.6	20.3	14.6	

Datasheet is subject to change without notice

Last updated: **8. May 2019**



Please view our website for **full datasheet**