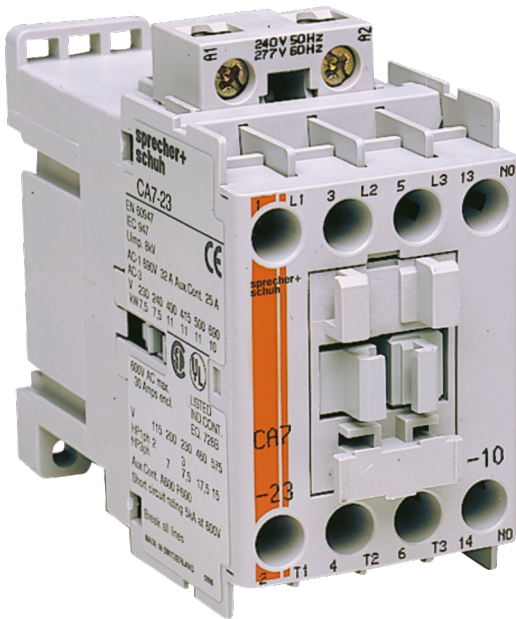


Catalogue No: **CA7-23-10-110VAC**
CONTACTOR 11kW 3P 110V AC COIL 1NO AUXILIARY

Motor Control and Drives > Motor Starting and Protection > Contactors > Sprecher + Schuh Contactors > CA7
 Contactors 4 to 55kW > 3 Pole Contactors with AC Coil



Contactor 3 pole 23A 11kW 1N/O Auxiliary 110V AC Coil

- Several contactor families provide a wide variety of contactor sizes, offering economy and selection
- Compact dimensions saves panel space

Representative Photo Only
 (actual product may vary based on configuration selections)

SPECIFICATIONS

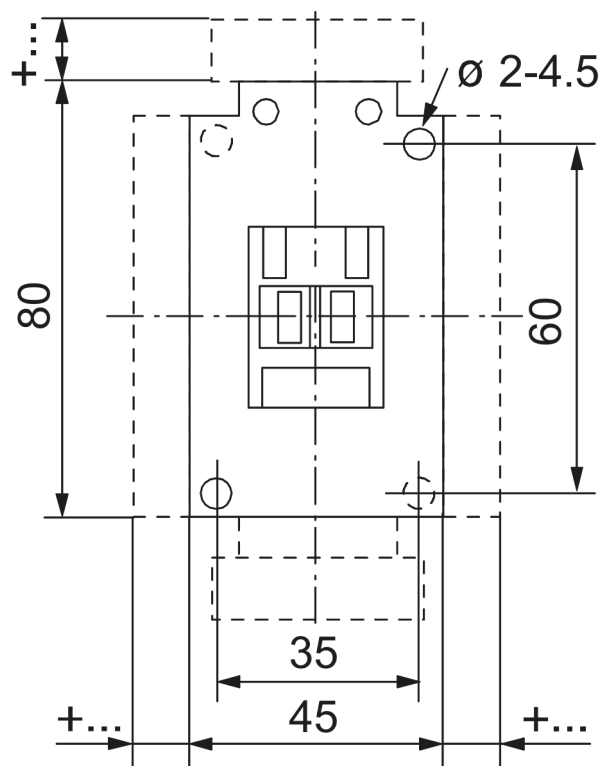
Product Series	CA7-23
Component Type Motor Control and Drives	Standard Contactor
Ie, Rated Operational Current, AC-1, 415V, 40°C	23 A@415V,40°C
kW Rating, AC-3, 415V, 60°C	11 kW @415V, 60°C
Ie, Rated Operational Current, AC-3, 415V, 60°C	23 A@415V,60°C
kW Rating, AC-3, 690V, 60°C	10 kW @690V, 60°C
Ie, Rated Operational Current, AC-3, 690V, 60°C	12 A@690V,60°C
Number of Poles	3
Contact Configuration, Main Poles	3 NO main poles
Coil Type	Conventional type
Coil Consumption Hold-in VA AC coiled contactors	3.1 VA 12.3
Coil Consumption Pickup VA AC coiled contactors	105 VA
Integrated Aux	1 N/O
Coil Voltage	110 V AC V
Un, Coil Voltage, AC @50Hz, Nom	110 V AC nom @50Hz
Un, Coil Voltage, AC @50Hz, Min	93 V AC min @50Hz
Un, Coil Voltage, AC @50Hz, Max	121 V AC max @50Hz
Un, Coil Voltage, AC @60Hz, Nom	120 V AC nom @60Hz
Un, Coil Voltage, AC @60Hz, Min	102 V AC min @60Hz
Un, Coil Voltage, AC @60Hz, Max	132 V AC max @60Hz
Tightening Torque, Power Terminals, max	2 Nm max
IP Rating	IP20

Catalogue No: **CA7-23-10-110VAC**
CONTACTOR 11kW 3P 110V AC COIL 1NO AUXILIARY

Motor Control and Drives > Motor Starting and Protection > Contactors > Sprecher + Schuh Contactors > CA7
Contactors 4 to 55kW > 3 Pole Contactors with AC Coil



REFERENCES	
IECEX Certificate	-
Supplier Declaration of Conformity:	-
Installation Guide:	-
User Manual:	-
Manufacturer Datasheet:	-
Manufacturer Catalogue & Product Selection:	-



Dimension Diagram

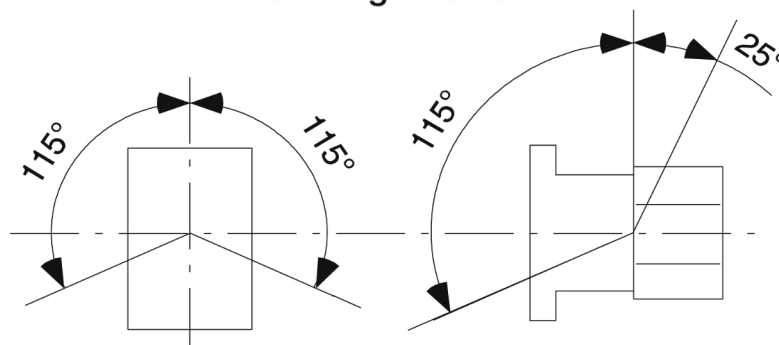
Catalogue No: **CA7-23-10-110VAC**

CONTACTOR 11kW 3P 110V AC COIL 1NO AUXILIARY

Motor Control and Drives > Motor Starting and Protection > Contactors > Sprecher + Schuh Contactors > CA7 Contactors 4 to 55kW > 3 Pole Contactors with AC Coil



Mounting Position



Technical Diagram