



Representative Photo Only
(actual product may vary based on configuration selections)

LED Beacon 110/230V AC - IP67 Clear Lens - Amber LEDs

- Complete visual signalling range from high efficiency static or flashing LED's to high discharge Xenon beacons to rotating parabolic reflector beacons, we have the solution suitable for your application.
- Available in a variety of frame sizes and with accessories such as protective cages and brackets to cater to your mounting requirements.
- Multiple colour varieties available including Red, Green, Amber and Blue to convey whichever message is required.

SPECIFICATIONS

Product Series	LED80
Indication Mode(s)	Sight
Lamp Type	LED type
Number of LEDs	12
Colour, Lamp	Amber colour
Illumination Mode	Steady / Flashing
Speed, Flash	60 per min
Material, Lens	PC (Polycarbonate) - UV Stabilised
Un, Nominal Operational Voltage(s), AC	115 V AC 230
Ie, Rated Operational Current, nom	0.02 A,nom
Ie, Rated Operational Current, nom	0.02 A,nom
Material, Body / Housing	PC (Polycarbonate) - UV Stabilised material
Connection / Termination	Built-in cable with flying leads
Length, Cable	0.5 m
IP Rating	IP67
Mounting (Multiple)	Mounting Plate (Included) Surface Mount
Diameter, External	76 mm
Weight	0.14 kg
Operating Temperature, Min	-20 °C min
Operating Temperature, Max	55 °C max
Certifications	CE RoHS

Catalogue No: **MOLED80-04A**

BEACON 12-LEDS STEADY/FLASH IP65 115-230V AC AMBER

Signalling Devices > Sight Indication > Beacons > Moflash Beacons > LED Beacons > MOLED80 Series - LED Beacons



REFERENCES

IECEX Certificate -

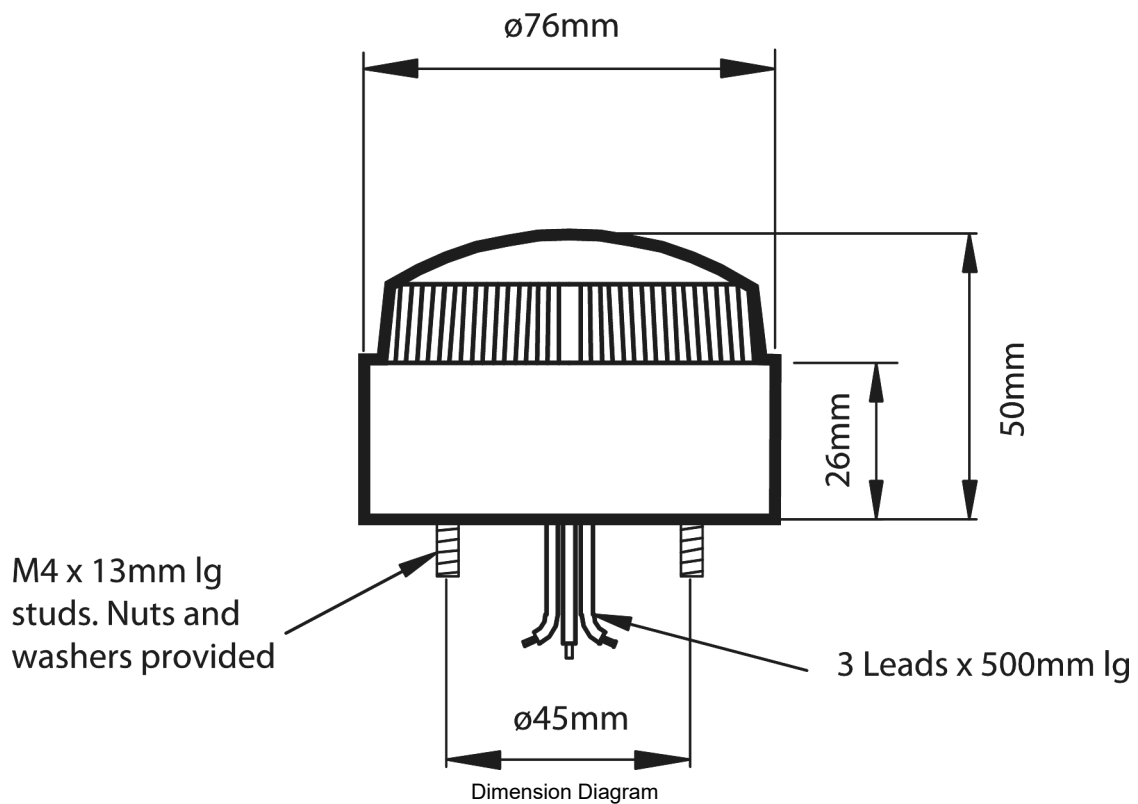
Supplier Declaration of Conformity: -

Installation Guide: [MOLED80-04A_Installation Instructions](#)

User Manual: -

Manufacturer Datasheet: [MOLED80-04A_ManufacturerDatasheet](#)

Manufacturer Catalogue & Product Selection: -



Catalogue No: **MOLED80-04A**

BEACON 12-LEDS STEADY/FLASH IP65 115-230V AC AMBER

Signalling Devices > Sight Indication > Beacons > Moflash Beacons > LED Beacons > MOLED80 Series - LED Beacons

