

# Catalogue No: **MOX80-02A**

## BEACON 2J-XENON FLASH/STROBE IP65 10-72V AC/DC AMBER

Signalling Devices > Sight Indication > Beacons > Moflash Beacons > Xenon Beacons > MOX80 Series - Xenon Beacons



Representative Photo Only  
(actual product may vary based on configuration selections)

### Xenon Beacon (Strobe) 10-100V DC or 20-72V AC - Amber Lens - IP67 Rated 500mm Flying Leads

- Complete visual signalling range from high efficiency static or flashing LED's to high discharge Xenon beacons to rotating parabolic reflector beacons, we have the solution suitable for your application.
- Available in a variety of frame sizes and with accessories such as protective cages and brackets to cater to your mounting requirements.
- Multiple colour varieties available including Red, Green, Amber and Blue to convey whichever message is required.

#### SPECIFICATIONS

Product Series	X80
Indication Mode(s)	Sight
Lamp Type	Xenon type
Illumination Mode	Flashing
Speed, Flash	65 per min
Details, Speed	or 60 FPM
Energy, Flash	2 J
Colour, Lens	Amber colour
Material, Lens	PC (Polycarbonate) - UV Stabilised
Ue, Rated Operational Voltage, AC, min	20 V AC
Ue, Rated Operational Voltage, AC, max	72 V AC
Ue, Rated Operational Voltage, DC, min	10 V DC
Ue, Rated Operational Voltage, DC, max	100 V DC
Input Frequency, Nom	50 / 60 Hz
Ie, Rated Operational Current, nom	0.11 A,nom
Ie, Rated Operational Current, nom	0.11 A,nom
Details, Current	110mA
Material, Base	ABS (Acrylonitrile Butadiene Styrene) - UV Stabilised
Colour, Base	Black base
Connection / Termination	Built-in cable with flying leads
Length, Cable	0.5 m
IP Rating	IP67
Mounting (Multiple)	Mounting Plate (Included) Surface Mount
Height	50 mm
Width	76 mm
Depth	76 mm
Weight	0.13 kg

# Catalogue No: **MOX80-02A**

## BEACON 2J-XENON FLASH/STROBE IP65 10-72V AC/DC AMBER

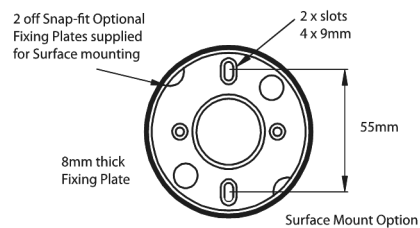
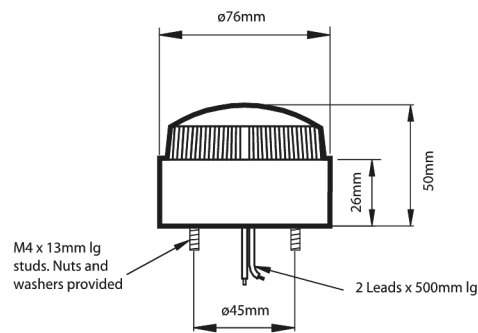
Signalling Devices > Sight Indication > Beacons > Moflash Beacons > Xenon Beacons > MOX80 Series - Xenon Beacons



Operating Temperature, Min	-20 °C min
Operating Temperature, Max	55 °C max
Certifications	CE RoHS

### REFERENCES

IECEX Certificate	-
Supplier Declaration of Conformity:	-
Installation Guide:	<a href="#">MOX80-02A_Installation Instructions</a>
User Manual:	-
Manufacturer Datasheet:	-
Manufacturer Catalogue & Product Selection:	<a href="#">MOX80-02A_Manufacturer Catalogue</a>

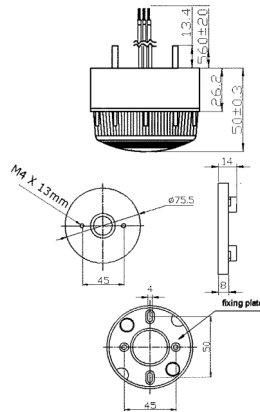


Dimension Diagram

Catalogue No: **MOX80-02A**

**BEACON 2J-XENON FLASH/STROBE IP65 10-72V AC/DC AMBER**

Signalling Devices > Sight Indication > Beacons > Moflash Beacons > Xenon Beacons > MOX80 Series - Xenon Beacons



Technical Diagram