



MINI SPIKE SL7266 - 6W

IP65 LED residential mini spike luminaire.

Application

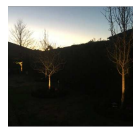
Decorative accent solution

Design Specifications

- Die-cast aluminium body and powder coated black aluminium body profile
- 12V AC or DC driver required.
- High efficiency LED optics
- Supplied with 1.5 m 2 core rubber flex
- IP65 protection
- Adjustable trunnion optical system

Performance

- Dimmable - NO



-
-
-
-
-
-

Technical Specification

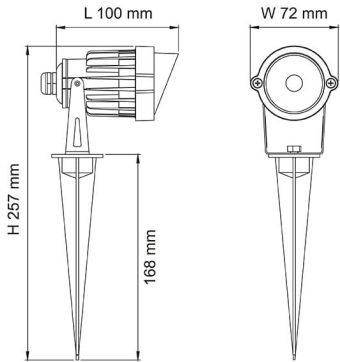
Product	Model No.	Input Voltage (V/AC)	Input Voltage (V/DC)	Power (W)	Lumens (lm)	CCT (K)
	SL7266WW/BK	12	12	6	400	3000

CRI	Beam Angle (°)	Diameter (mm)	Dim (mm)	Body Colour
80	30	72	72(W) x 257(H)	BLACK

Due to continued product and technology enhancements, data sourced from sal.net.au shall not form part of any contract and or technical performance guarantee unless expressly confirmed in writing by SAL at the time of order. Products are sold in accordance with [SAL Terms and Conditions of sale](#) and all images shown are for illustration purposes only and may vary from the actual colour or finish. Unless specifically stated, all IP ratings nominated for Interior products are from "below the ceiling".



Dimensions





Why is the IP rating important? In brief, IP (Ingress Protection) ratings are defined in EN 60529 and simply defines the ability of an electrical product to seal and protect against the intrusion of foreign objects and water.

(I) As the first numeral stands for intrusion of a foreign object, where (P) as the second numeral stands for the penetration of moisture.

As a guide IP20 rated products would be seen in interior spaces with no requirement for protection against the elements, where an IP65 product would be found in an exterior application which required substantial protection against the elements.

Need more information on IP ratings? Check out the SAL web FAQ's or speak to your local SAL team member.

**For more
information
please
scan me**

