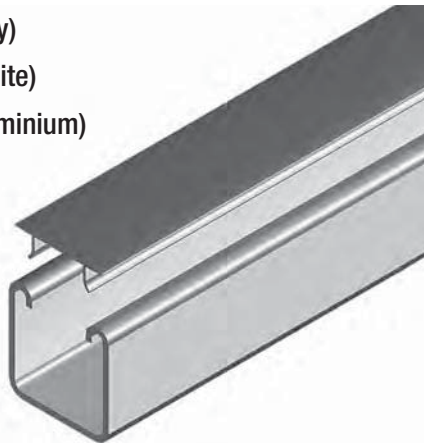
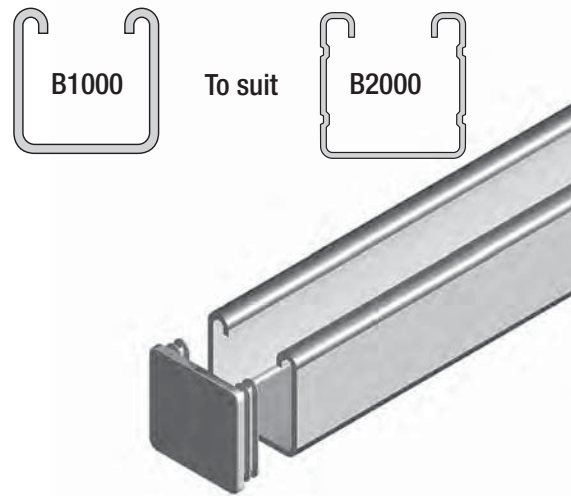


B1184P (grey)
 B1184W (white)
 B1184A (aluminium)



Sold in three metre lengths.

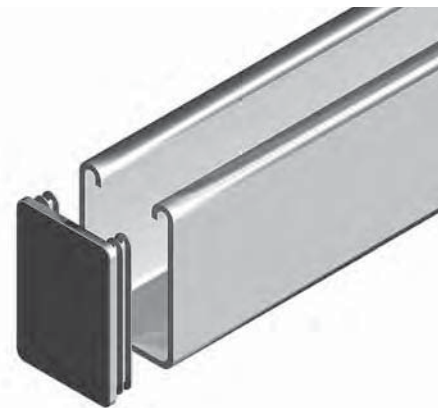
B1184



B2240

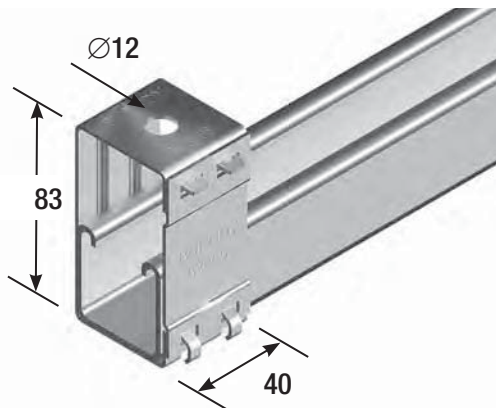


B3380



Suits B5500 channel.

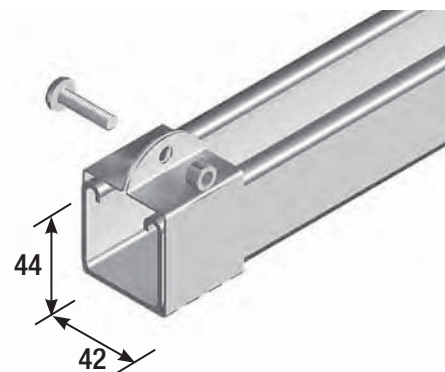
B5580



Hole diameter to suit M10 threaded rod.

Powder coating and special finishes on request against firm orders only and are non returnable.

B2855 ▶ Wt 0.18 kg



Order fasteners separately PS620 X 1 and HN6 X 1

Powder coating and special finishes on request against firm orders only and are non returnable.

B2539 ▶ Wt 0.11 kg

CHANNELS 1

NUTS & BOLTS & BRACKETS 2

CANTILEVER BRACKETS 3

CHANNEL FITTINGS 4

LADDERTRAYS 5

CABLE MESH 6

STEEL LADDERS 7

ALUMINIUM LADDERS 8

FIRE RATED 9

COVERS 10

HYGROUND 11