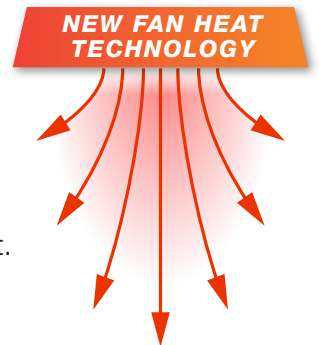




Sahara

FAN HEATER, LIGHT AND EXHAUST

- High performance bathroom unit with integrated fan heat, LED light and exhaust.
- Ultra slim modern design.
- Fan heat creates a comfortable, warm environment.
- Fan cool function ideal for warmer climates.
- High air extraction ideal for control of steam and moisture.
- Premium LED light panel with high lumen output.



LOW MED HIGH



Sahara

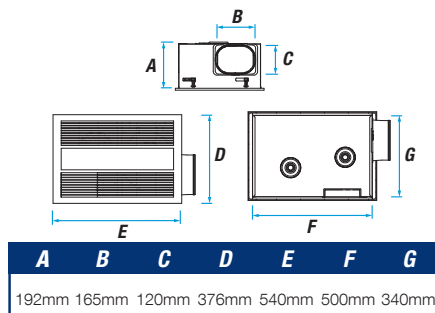


FAN HEATER, LIGHT AND EXHAUST

High Performance bathroom unit integrated fan heat, LED light and exhaust.



DIMENSIONS



EXHAUST

Air Volume: 380m³H (106L/sec)*
Motor Power: 55 watts
Duct Outlet: Ø150mm
Draft Stopper: Yes

LIGHT

Light Type: LED Panel Light
Light Wattage: 20 watts
Lumens: 1500Lm
Light Colour: 4000k Natural

HEAT/COOL

Type: Fan Driven
Heat Wattage (L/H): 1100/2000 watts
Fan Wattage: 40 watts

INSTALLATION

Cut Out Size: 523 x 343mm
Fascia Size: 540 x 376mm
Recommended Min Install Depth: 200mm
Power Input: 220-240V~50Hz
IP Rating: IPX2
Installation: Qualified Electrician Needed

SHIPPING

Packaging Size: 700 x 275 x 430mm
Carton Size: 720 x 580 x 465mm
Carton Qty: 2 Pieces



INCLUDES

- 1 x Bathroom Unit
- 1 x Five Switch Wall Plate
- 1 x Cutout Template
- 1 x 3m Duct
- 1 x Outlet Grille
- 1 x Instruction Manual

AVAILABLE EXTRAS

- VUBHR** Universal Bathroom Remote
- VAD150** Ø150mm 6m Aluminum Ducting
- VAD150-3** Ø150mm 3m Aluminum Ducting
- V150FG** Ø150mm External Grille
- V150DKIT** 6m Aluminum Ducting and Fixed Grille
- V150PALG** Exterior Aluminium Vent

Model	Outer Carton	EAN13 Barcode
White SAH31WH	19339310009334	9 339310 009337 >
Black SAH31BL	19339310009327	9 339310 009320 >

ventair_{tm}
 THE AIR MOVEMENT SPECIALISTS

+61 3 9775 0556
 +61 3 9775 0775
 sales@ventair.com.au

4 Capital Place, Carrum Downs Vic 3201
 www.ventair.com.au